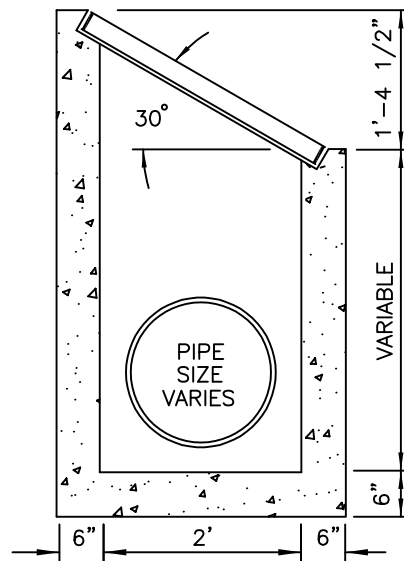
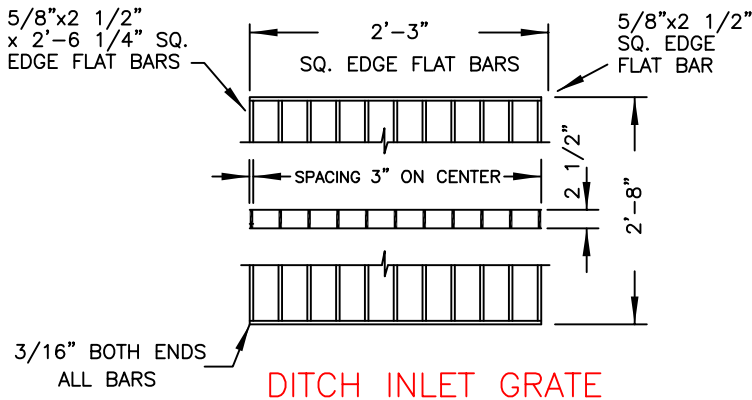


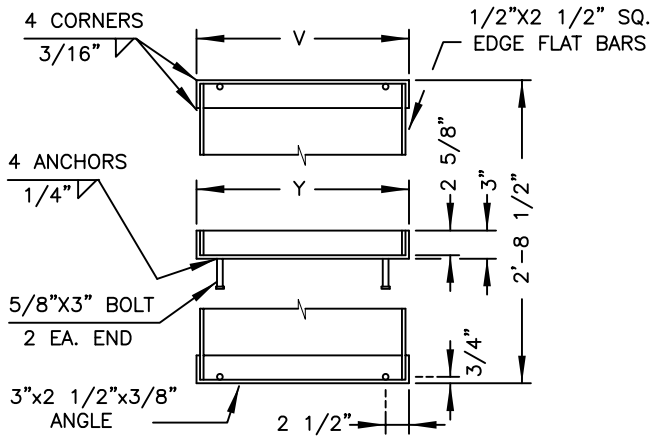
SECTION B-B



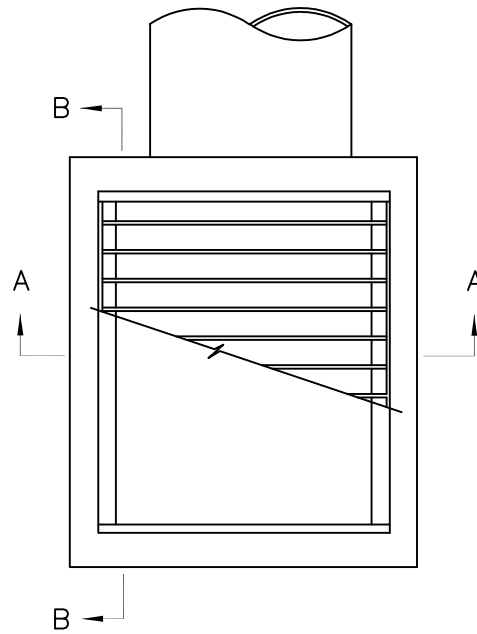
SECTION A-A



DITCH INLET GRATE



DITCH INLET FRAME



PLAN

NOTES:

1. CONCRETE SHALL HAVE A 28 DAY ULTIMATE COMPRESSIVE STRENGTH OF 3300 PSI.
2. CATCH BASIN, FRAME, & GRATE SHALL MEET H2O LOADING
3. INSIDE FRAME DIMENSIONS: 2'-3 3/8", 2'-8 1/2".
4. 3/8" CROSS BARS SHALL BE FLUSH WITH THE GRATE SURFACE AND MAY BE FILLET WELDED, RESISTANCE WELDED OR ELECTROFORGED TO BEARING BARS.

INLET TYPE	V	Y	Y <sub>1</sub>	NO. OF BARS	TYPE
D	2'-4 3/4"	2'-3 3/8"	2'-3"	9	1

**City of  
McMinnville**

**DETAIL FOR  
DITCH INLET**

DATE:

AUGUST 2022

DRAWING NO.

**28**