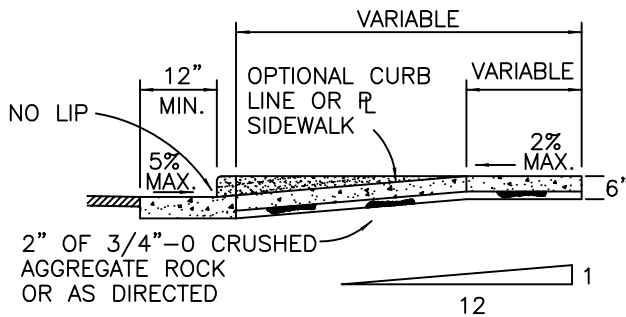
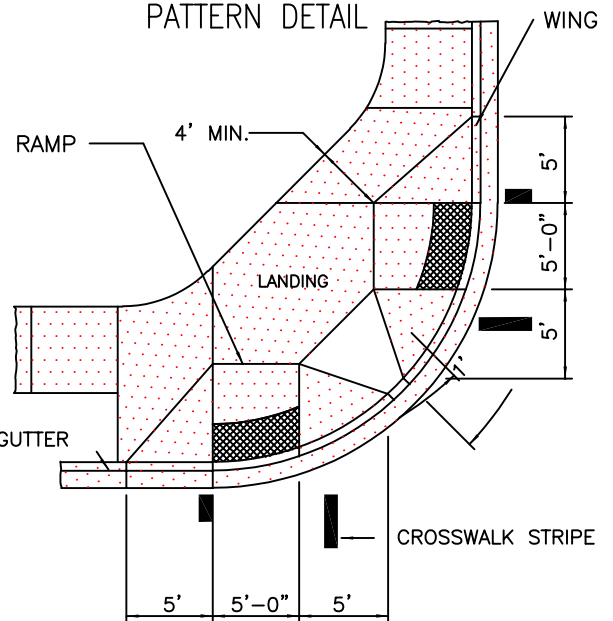


RAMP TEXTURE PATTERN DETAIL

PERPENDICULAR CURB RAMPS (TYPE 1)



TYP. SECTION THROUGH DETAIL



PERPENDICULAR CURB RAMPS (TYPE 2)

NOTES:

1. ALL ACCESS RAMPS TO SIDEWALKS MUST CONFORM TO THIS STANDARD. EXCEPTIONS TO THE REQUIREMENTS IN THIS DRAWING MUST BE APPROVED BY THE ENGINEER AND MUST COMPLY WITH PROWAG.
2. RAMP LAYOUT AND LOCATION SHALL BE APPROVED BY THE CITY PRIOR TO CONSTRUCTION.
3. NO ABOVE-GROUND UTILITIES ARE PERMITTED WITHIN THE RAMP AREA.
4. INSTALL TRANSITION PANELS AS DIRECTED WHEN EXISTING ADJACENT SIDEWALK EXCEEDS 2% CROSS SLOPE.
5. DETECTABLE WARNING MATS WITH TRUNCATED DOMES SHALL BE CAST IN PLACE AND EXTEND THE FULL WIDTH OF THE LANDING; THE COLOR SHALL BE SAFETY YELLOW.
6. CONCRETE SHALL HAVE A 28 DAY ULTIMATE COMPRESSIVE STRENGTH OF 3300 PSI.
7. LANDING SLOPES SHALL BE DESIGNED AT 1.5% MAX., IN ANY DIRECTION. CONSTRUCTION NOT TO EXCEED 2% IN ANY DIRECTION. RAMPS SHALL BE DESIGNED AT 7.5% SLOPE MAX., WITH CONSTRUCTION NOT TO EXCEED 8.3%.
8. MINIMUM LANDING DIMENSIONS SHALL BE 5' x 5'.

**City of
McMinnville**

**DETAIL FOR
SIDEWALK ACCESS RAMPS**

DATE: AUGUST 2022

DRAWING NO. 1