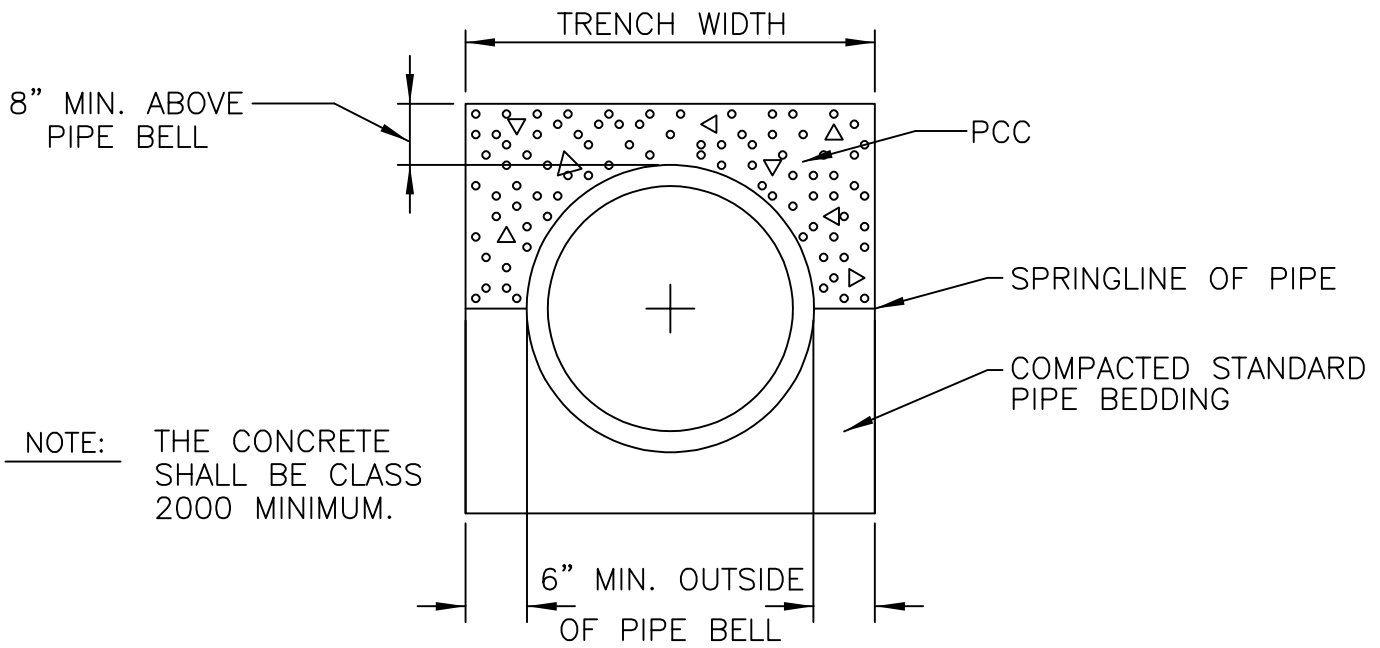


ENCASEMENT DETAIL



NOTE: THE CONCRETE SHALL BE CLASS 2000 MINIMUM.

CAP DETAIL

**City of  
McMinnville**

**DETAIL FOR  
CONCRETE CRADLE  
AND CAP DETAILS**

DATE: AUGUST 2022

DRAWING NO. 19