

CLEANOUT
(PIPE SIZE)

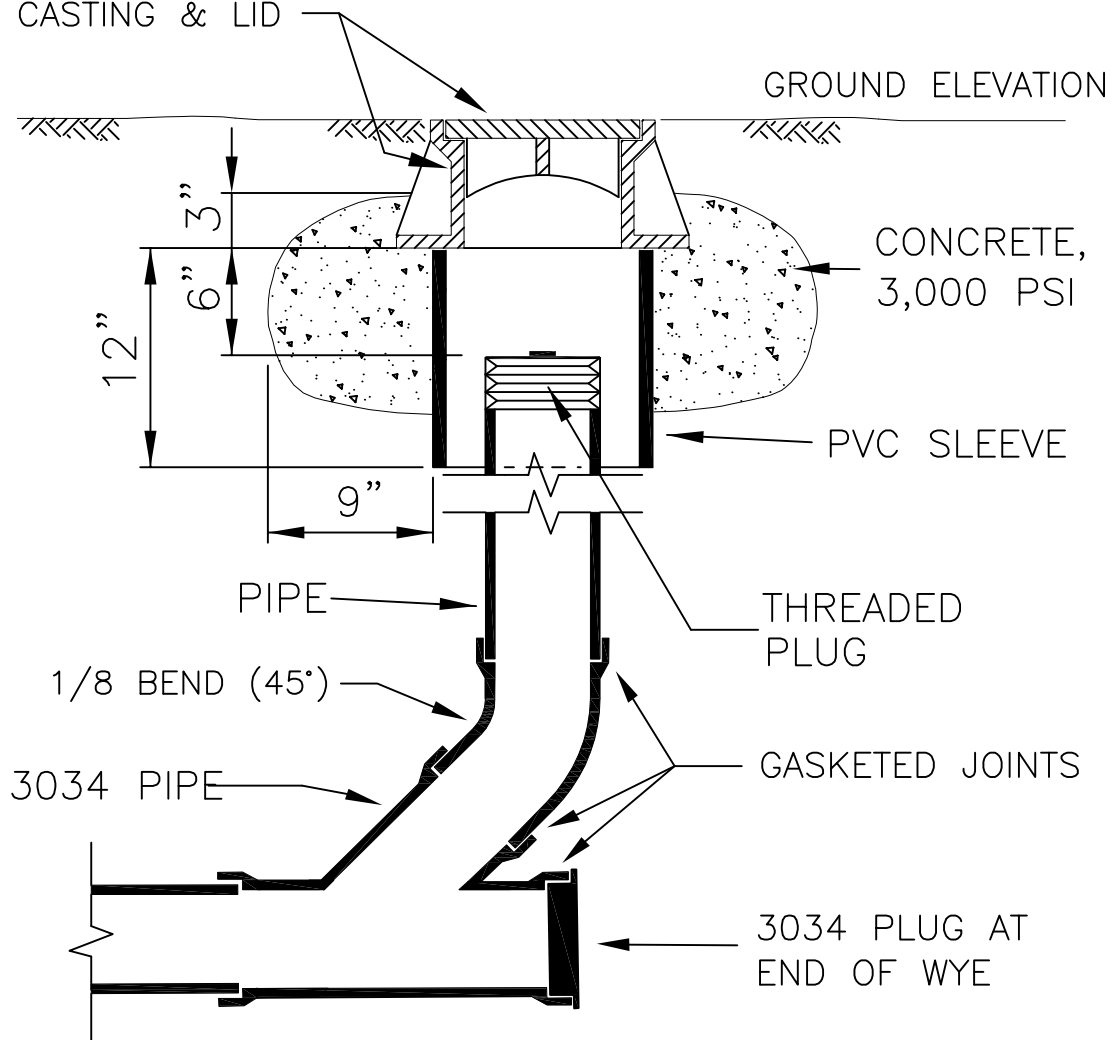
6"
8"

SLEEVE SIZE

8" MIN.
12" MIN.

OLYMPIC FOUNDRY, INC.
(OR SIMILAR APPROVED)
LOCKING CLEANOUT
CASTING & COVER
M1007 D/T

CLEANOUT CASTING & LID



**City of
McMinnville**

DETAIL FOR
STANDARD SANITARY
MAINLINE CLEANOUT

DATE:

MAY 2023

DRAWING NO.

18