

CLEANOUT  
(PIPE SIZE)

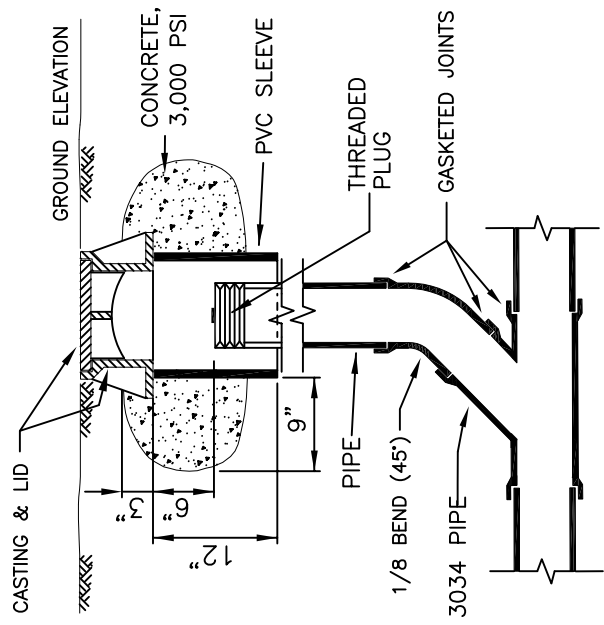
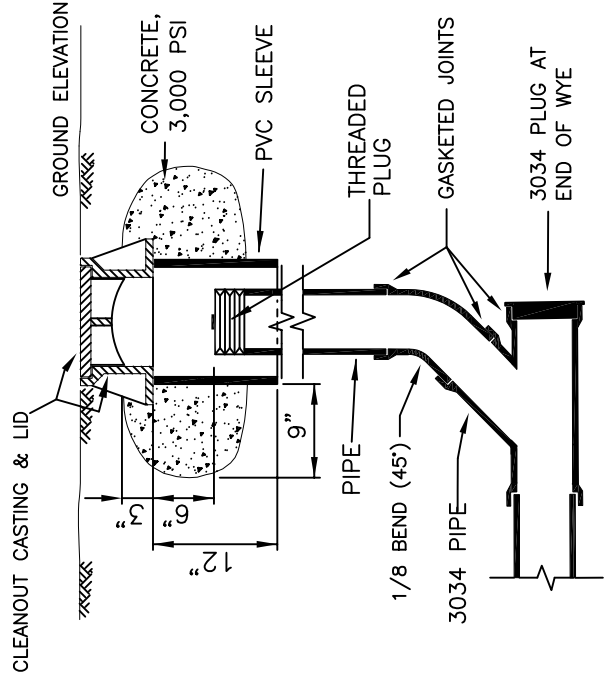
SLEEVE SIZE

4" 8" MIN.  
6" 8" MIN.  
8" 12" MIN.

OLYMPIC FOUNDRY, INC.  
(OR SIMILAR APPROVED)  
LOCKING CLEANOUT  
CASTING & COVER  
M1007 D/T

END OF LINE CLEANOUT

IN LINE CLEANOUT



**City of  
McMinnville**

DETAIL FOR  
STANDARD SANITARY  
CLEANOUT

DATE: July 2024

DRAWING NO. 18B