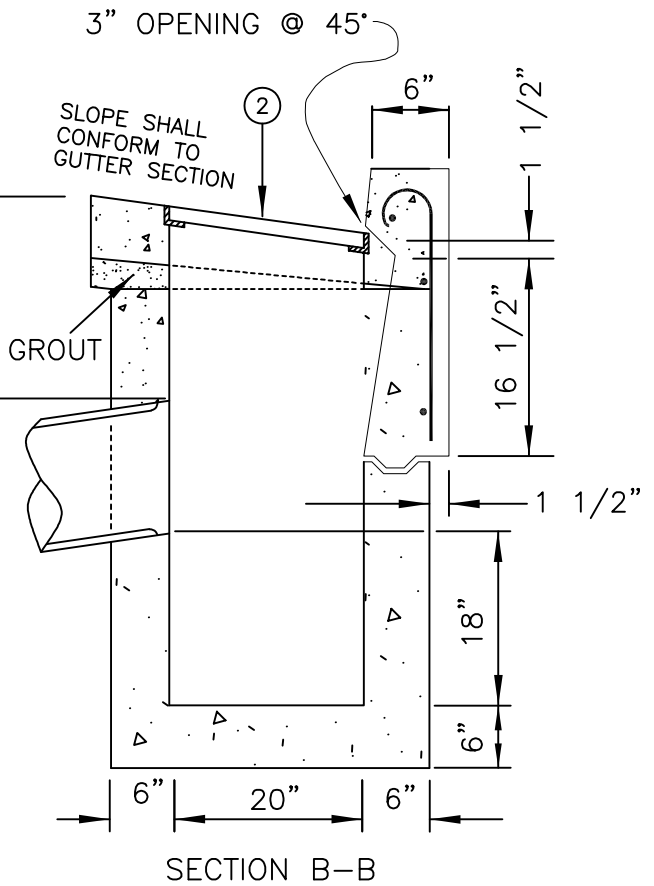
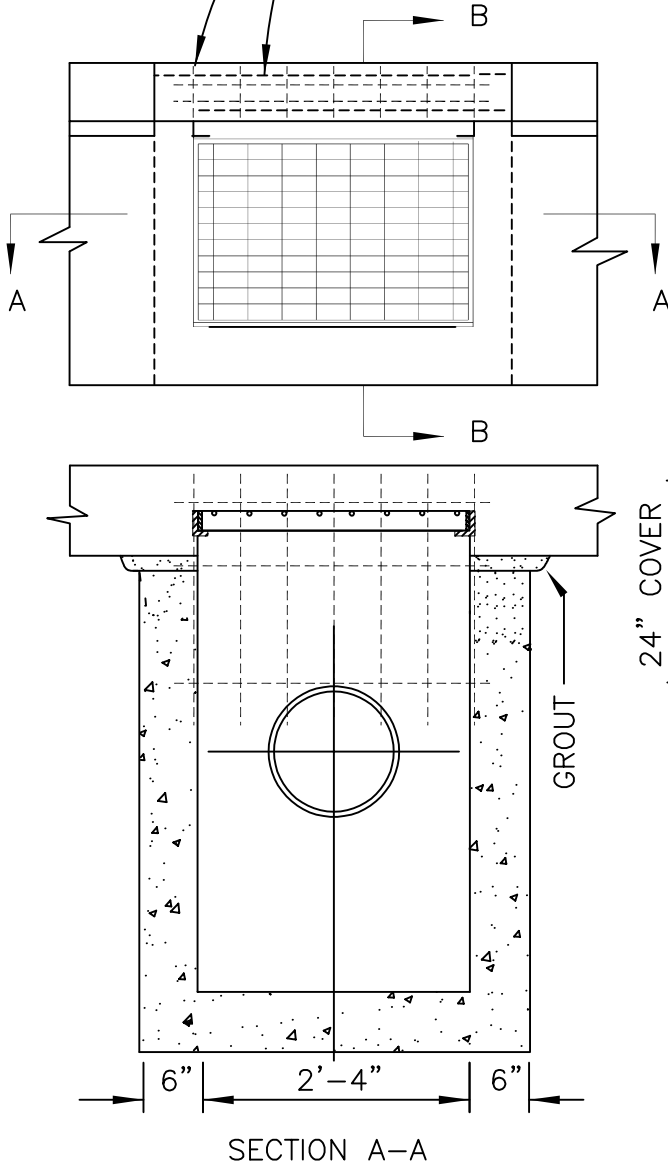


USE SEVEN #3 HOOK BARS
 @ 6" C.C. VERT. & THREE #5
 BARS HORIZ. IN CURB AS SHOWN.

NOTES:

1. CONCRETE SHALL BE CLASS 3000.
2. USE FRAME AND GRATE DETAILS FROM STANDARD DRAWINGS FOR CATCH BASIN.



**City of
McMinnville**

**DETAIL FOR
COMBINATION GUTTER
AND CURB INLET
CATCH BASIN**

DATE: AUGUST 2022

DRAWING NO. 11